

# **Product Manual**

## **ICC1-232**

---

**RS-232 Display Controller, 1-way Control**

**Ver. 3.4 April 10, 2012**

# Table of Contents

<b>Overview .....</b>	<b>3</b>
<b>Specifications .....</b>	<b>4</b>
Physical .....	4
Rear Panel .....	4
iCC-Net .....	4
Includes .....	4
Options .....	4
<b>Installation .....</b>	<b>5</b>
AC Power Test .....	5
RS-232 Control Wiring .....	5
RF Coax and iCC-Net Operation .....	5
RS-232 Control Codes .....	5
Setting Device Number and Parameters (Device Mode) .....	6
Zone Switch Settings .....	6
Unit Address Switch Settings .....	7
Installation Process and Documentation .....	7
RS-232 Control Wiring .....	7
<b>RS-232 Control Protocol .....</b>	<b>8</b>
Overview .....	8
Command String Structure .....	8
Writing Your Own Control Code .....	9
<b>RS-232 Commands .....</b>	<b>10</b>
<b>iC-Net Zones .....</b>	<b>12</b>
<b>System Map .....</b>	<b>13</b>
<b>Typical RF and ICC-Net Signal Flow .....</b>	<b>14</b>
<b>Safety Instructions .....</b>	<b>15</b>
<b>Limited Warranty and Disclaimer .....</b>	<b>16</b>

## Overview



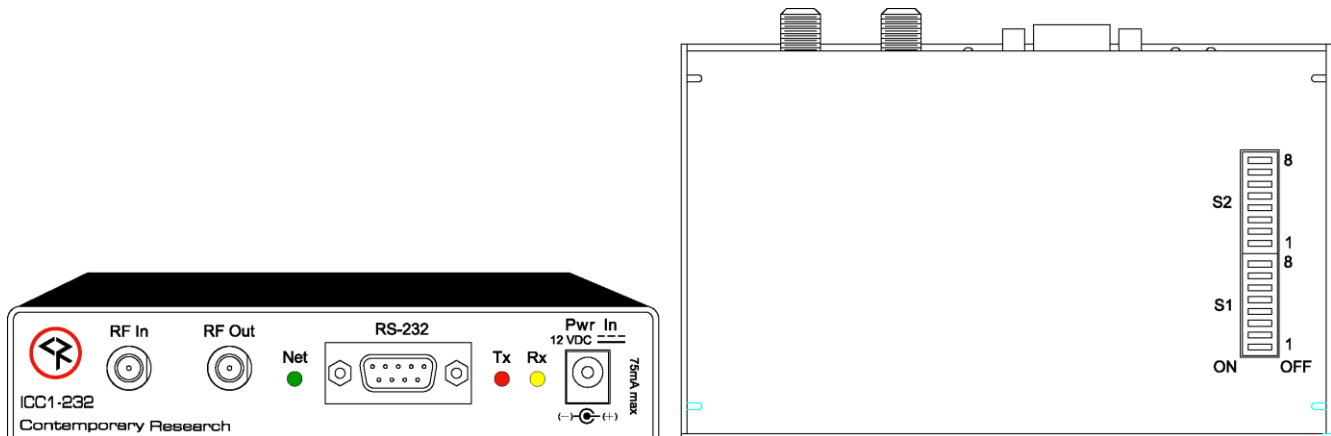
The ICC1-232 RS-232 Display Controller delivers economical 1-way control for power, volume, channels, and available control lockout commands, receiving ICC-Net network commands over the same broadband coax that carries the CATV channels. Compact in size and price, the ICC1-232 features discrete power control and intelligent tuning from a channel list stored in onboard non-volatile memory. Tuning options include analog- and HDTV-format channels.

High-speed 1-way control is possible through the same RF cable that carries the TV channels, creating networked operation of distributed media systems without adding control wiring. Compatible with the Contemporary Research SignStream™, iC-Web, and iC Commander software, the ICC1-232 can be networked with up to 4000 display controllers. For custom systems applications, the ICC1-232 and other CR display controllers can be accessed from a single RS-232 or Telnet port on an ICE-HE Ethernet Head End.

Applications include signage and video distribution for retail stores, theme parks, museums, government facilities, sports venues, worship spaces, convention centers, airports and corporate video networks..

- Controls most brands of RS-232-controlled displays
  - Delivers absolute power control with discrete RS-232 commands
  - Tunes analog or HDTV format channels
  - Intelligent volume level and mute operation
  - Enables available control lockout commands
- Networks with up to 4,000 TVs through the ICE-HE Ethernet Head End
- Receives 1-way individual and zone commands from a single RS-232/Telnet port on the ICE-HE Head End
- Provides LED feedback for network and RS-232 control
- Restores all power and channel status after loss of power from data stored in non-volatile memory
- Mounts on the back of display for simplified control and RF installation
- Operates with SignStream, iC Commander, and iC-Web software, as well as from RS-232 protocol from a custom-programmed PC or control system
- Includes RF loop cable, mounting Velcro, and 12VDC power supply
- Optional CC-232 RS-232 control cable (specify make, model, and cable length)

# Specifications



## Physical

Size:	5.5" [140mm] wide x 1.1" [28mm] height x 3.4" [86mm] deep
Weight:	8 oz [226g]
Enclosure:	All aluminum with durable black powder coat paint
Mounting:	Mounts rear of TV

## Rear Panel

RF In	'F', female, 75 ohm impedance, RF from CATV system, iCC-Net control
RF Out:	'F', female, 75 ohm impedance, RF to TV, less than -1.5 dbmV loss
Net LED:	Green LED for iC-Net bus and DC power, flashes once per second if active
RS-232:	DB-9 male connector, baud rates from 1200 to 115K baud Optional CC-232 RS-232 available to match specific makes and models
Tx LED:	Red LED lights when RS-232 information is sent
Rx LED:	Yellow LED lights when RS-232 information is received
Power In:	2.1mm coaxial jack (inside center conductor positive), 75 mA maximum 11.5 to 16.5 VDC, 12 VDC typical (may be unregulated)
DIP Switches:	Located on bottom of unit, sets RS-232 code operation and device number

## iCC-Net

Operation:	1-way control, carried over the same RF coax connection as TV channels
Data Receive:	Mid-band VHF, 74.7 MHz, sent from ICC-HE -25 to +35 dBmV signal level

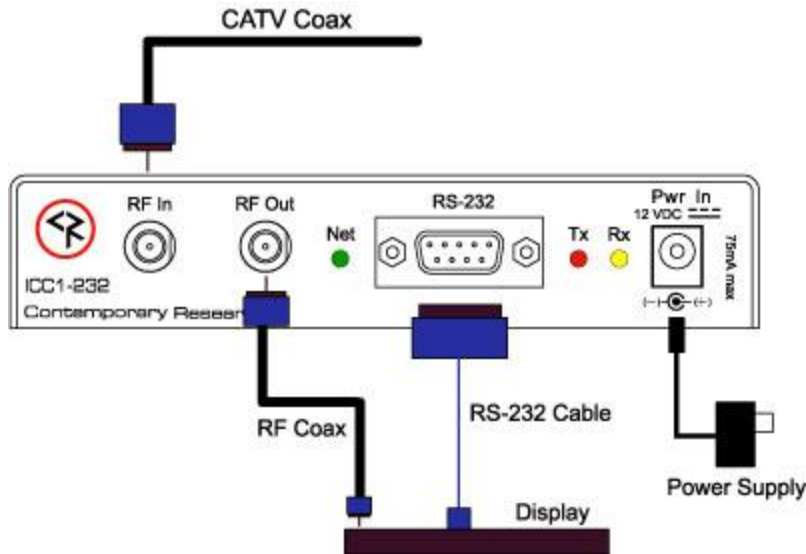
## Includes

- RF Loop cable, 18"
- 12 VDC power supply, 100 mA, (domestic US shipments only)
- Mounting Velcro

## Options

- CC-232 RS-232 Control Cable (specify make, model, and length)
- 12 VDC power supply, 100 mA, (domestic US shipments only)
- Mounting Brackets

# Installation



### AC Power Test

1. Insert DC power supply plug into 12 VDC jack.
2. Plug power adaptor into AC wall outlet.
3. The Net LED should turn on and stay lit.

### RS-232 Control Wiring

1. Attach the CC-RS-232 or custom RS-232 cable to the ICC1-232 control port.
2. Connect the cable to the display's RS-232 control input.

### RF Coax and iCC-Net Operation

1. Connect the TV to CATV and observe quality of RF broadcasting. A low-quality CATV system can also affect performance of the iCC-Net commands. If needed, fix CATV problems before installing the system.
2. Connect the CATV RF Coax cable into the RF In input on the ICC1-232.
3. If the iCC-Net signal is operating, the Net LED will blink once per second.
4. Connect the RF loop cable from the RF Out jack to the TV's RF connector (remember, you lose less than 1.5 dbmV by going through the ICC1-232'S internal RF tap).

### RS-232 Control Codes

Presently, one control type is installed at the factory, updateable to other types through the RF or via RS-232.

Code	MFG	Type	Notes	Ver
	LG	LCD		3.1
	Sharp	LCD	Standard Sharp control	2.8
	Sharp	LCD	Fixes bug in some Sharps that can't tune an X.1 channel.	2.9
	Sharp	LCD	Universal Sharp control. Send H9,1 to set fix Sharps that have tuning bug, H9,0 for default, input selection added.	3.2
	Westinghouse ProAV	LCD		1.5
	Sampo	LCD		2.0
	Revolution HD	LCD		2.3
	Enseo	Tuner		2.5
	NEC	LCD	Models with AVT tuner module	2.6
	SunBrite	LCD	SB-4610HD	3.3
	Samsung	LCD	Ex-Link (tunes only up to ch. 63)	3.4

## Installation

### Setting Device Number and Parameters (Device Mode)

In the next step, you'll need to set up the device number and operation parameters for the ICC1-232. Notice that the functions of the S1 and S2 switches change when you set the unit in Device mode.

1. Make sure **S2** Switch 6 is OFF (unit in Device mode).
2. Set the **Device number** by turning on the switches that add up to the desired device number. For example, for Device #513 (1<sup>st</sup> device in Zone 2), S1 Switch 1 (1) and S2 Switch 2 (512) ON.

S1	Off Value	On Value
1	0	1
2	0	2
3	0	4
4	0	8
5	0	16
6	0	32
7	0	64
8	0	128
S2		
1	0	256
2	0	512
3	0	1024
4	0	2048
5		No function
6	<b>Device Mode</b>	Needs to be off
7		No function
8		No function

} Device Number Setting

\*Values in gray cells are the default settings.

### Zone Switch Settings

To define the controller's Zone, use the following pattern of switches ON for the S2 DIP.

Zone	Value	1	2	3	4
		256	512	1024	2048
1	256	X			
2	512		X		
3	768	X	X		
4	1024			X	
5	1280	X		X	
6	1536		X	X	
7	1792	X	X	X	
8	2048				X
9	2304	X			X
10	2560		X		X
11	2816	X	X		X
12	3072			X	X
13	3328	X		X	X
14	3584		X	X	X
15	3840	X	X	X	X

## Unit Address Switch Settings

The unique address of the controller is the combination of the values of the Zone (S2) and Unit (S1) switches. For example, the first controller in Zone 1 would be set to Zone 1 (256) in S2 and 1 (1) on S2, or 257. To control all the displays in Zone one, Display Express sends a command to device 256. To control just the first unit, create a Preset addressed to 257.

## Installation Process and Documentation

Most dealers will pre-configure the controller's address before hanging displays. After setting the address, use a label that states the unit's address and location. Some use this method:

### **Room 305 - 515 - 12/2**

The first identifies the location/name of the display. The second shows the specific address. The last set shows the switches in S1/S2 that are set to ON.

It's a good idea to define all this first in a spreadsheet, with the columns defining the name, address, S1 and S2 ON settings. Then, one person can set up all the controllers and label them.

Once the controller is configured and labeled, it's easier for less-trained installers to Velcro the controller on the back of the display, provide power, and hang the displays.

It's much easier to pre-configure ahead of time than perform the task once the displays are installed.

## RS-232 Control Wiring

1. Connect the CC-232 cable from the ICC1-232 to the display.
2. Mount the ICC1-232 to the TV using included Velcro tape.
3. Connect DC power to unit.

For those who make their own cables:

- Pin 5 = Ground (GND)
- Pin 2 = Receive (RX)
- Pin 3 = Transmit (TX)

# RS-232 Control Protocol

## Overview

RS-232 control for up to 4000 TV Controllers is provided through an iC-series Head-End Network Controller. The ICE-HE Ethernet Head End manages iC-Net communication over RF Coax to ICC1 (1-way) and ICC2 (2-Way) TV Controllers.

Each TV Controller is assigned a unique device number from 1 to 4000 to which control commands are addressed. The devices are organized into 16 zones of 255 devices. All the devices in each zone will respond to a single "virtual device number" — one device number that represents all devices in each zone. There is also a global device number, 4095, that will command all devices in the system. This feature dramatically speeds up system operation and programming, because one command can affect an entire group of devices—or all. To take advantages of this feature, review the section **iC-Net SmartZones** in this manual.

In ABC-Net, we reserve the first group of devices, 1-255, for components operating on a connected control system. Zones 1-16 are used for CR TV Controllers, Video Display Controllers and Tuners. As it's unlikely any system will use all 4000 devices, this may be a good device standard for your system as well.

The Remote RS-232 port on the Head-End Network Controller can communicate from 1200 to 38.4K baud. The factory default setting is 19.2K baud, 8 data bits, No parity, and 1 stop bit.

## Command String Structure

Characters in command strings are expressed in a combination of hex and ASCII characters. For clarity, the following protocol examples use the following conventions:

- Single-byte hex numbers are preceded by the '\$' symbol
- ASCII characters or strings are enclosed in single quotes
- Numbers not marked as hex or ASCII are a single decimal byte
- Parameters shown in < > brackets are single byte
- A series of multiple commands or parameters are set apart by [ ] brackets
- Commas separate the bytes, but are not part of the protocol
- Double quotes enclose the command string, but are not part of the protocol

## Command format:

"\$A5,<dh>,<dl>,<ncb>,<cmd1>,<parameter> [<cmdN>]"

<b>\$A5</b>	Starts the command
<b>&lt;dh&gt;</b>	The zone or high order byte of the device*
<b>&lt;dl&gt;</b>	The unit or low order byte of the device (0 for global zone)
<b>&lt;ncb&gt;</b>	The number of command bytes to follow
<b>&lt;cmd1&gt;</b>	The first command byte
<b>&lt;parameter&gt;</b>	Command parameters (not used by all commands)
<b>[&lt;cmdN&gt;]</b>	Multiple commands can be concatenated, with byte count added to <ncb>

## Writing Your Own Control Code

While most IC systems use our Display Express software to control displays, a growing number of integrators are writing their own control applications, using AMX, Crestron, RTI, or other platforms. We encourage creative solutions, and are happy to support those who take advantage of our protocol.

From our history of support activity, we are providing a few tips to help you on your way.

### Device Numbers

iC-Net devices are arranged with a zone structure, arranged in 15 groups of 256 devices. The first address in the group represents the entire zone. For example, Zone 2's group address is 512 ( $2 \times 256$ ). When a command is sent to 256, all controllers in that group will respond as one.

The Device values reflect that structure. The first number <dh> is the zone, from 1-15. The second defines the unique address of the device, 1-255). For example, a command sent to Device 256, which triggers all the units in Zone 1, would be expressed as \$A5, 1, 0 (first zone, device zero). A command sent to 257 would be \$A5, 1, 1 (first zone, device 1 in the zone). See iC-Net Zones toward the end of this manual.

### String Format

Every software application has a different denotation for handling hex, ASCII, and decimal formats. The examples in this manual are in AMX format, which is understood by many in the control industry:

- Hex values begin with a dollar (\$) symbol
- ASCII values are enclosed in single quotes
- Decimal values are shown as normal

If you plan on using a mixed-format structure for commands, convert the symbols to the types required by your software application. For example, a **Tune Channel 2-3** command to device 260 could be shown several ways:

- AMX Mixed Format = "\$A5,1,4,5,'TH',2,2,3"
- AMX Hex Format "\$A5 \$01 \$04 \$05 \$54 \$48 \$02 \$02 \$03"
- Standard Hex (no denotation) = A5 01 04 05 54 48 02 02 03
- Crestron Hex Format = \xA5\x01\x04\x05\x54\x48\x02\x02\x03
- RTI = Select port, Hex mode, enter A5 01 04 05 54 48 02 02 03

Go to [www.asciitable.com](http://www.asciitable.com) for a handy Decimal/ASCII/Hex conversion chart.

### IC Send

Download the IC Send application from our [crwww.com](http://crwww.com) home page or Downloads page. This easy-to-use tool can send commands to an IC-HE Head End RS-232 or Ethernet port. As you test your code, the program will come in handy to prove the system is operating properly, or reset things you've changed.

## RS-232 Commands

Command	Description	
<b>Power</b>		
<b>Power Off</b>	<b>P0</b>	"\$A5,<dh>,<dl>,2,'P0' " (6 bytes)
<b>Power On</b>	<b>P1</b>	"\$A5,<dh>,<dl>,2,'P1' " (6 bytes)
<b>Power Toggle</b>	<b>PT</b>	"\$A5,<dh>,<dl>,2,'PT' " (6 bytes)
<b>Volume</b>	<b>VL</b>	"\$A5,<dh>,<dl>,3,'VL',<vol level>" (7 bytes)  Sets TV volume level 0 = Mute 1 – 63 = Minimum level (1) to maximum volume (63)
<b>RS-232 Control</b>	<b>T0</b>	"\$A5,<dh>,<dl>,3,'T0'<type> " (7 bytes) – Sets RS-232 control codes Identical to on-screen menu <b>45700</b> command on Page 8. Specify value to match make and model of video display
<b>Tuning Format</b>	<b>S0=</b>	"\$A5,<dh>,<dl>,3,'S0',<format>" (7 bytes)  0=CATV 1=Off-Air 2=IRC 3=HRC 4=Cable Auto  Not always used by modern displays – normally set by TV on-screen menus
<b>Tuning Style</b>	<b>H1=</b>	"\$A5,<dh>,<dl>,3,'H1',<style>" (7 bytes)  1 = 5-digit CableCard style tuning (1-9999) 2 = Virtual HD Major-Minor tuning (tunes to virtual channel ID in display) 3 = Physical HD Major-Minor tuning (physical channel, minor digital)
<b>TC Response</b>	<b>H2=</b>	"\$A5,<dh>,<dl>,3,'H2',<response>" (7 bytes)  This pre-sets how the ICC1-232 will respond to TC tuning commands.  0= Ignore, use current settings 1= Analog Only 2= Digital (For CableCard applications only)
<b>Control String</b>	<b>UX</b>	"\$A5,<dh>,<dl>,2+string length,'UX'<string>" (variable bytes) Sends an RS-232 string (ASCII, decimal, or hex) directly to the TV display.  <b>Ex:</b> "\$A5,1,2,6,'UX', 'PON', 13" Sends PON, followed by carriage return (device 258)

## RS-232 Commands

Command		Description
Channel Up	TU	NA
Channel Dwn	TD	NA
T Channel Prev	TP	NA
Force Channel	TC	"\$A5,<dh>,<dl>,3,TC', <channel>" (7 bytes) – Tunes to a specific channel 2-127
Select Channel	TT	"\$A5,<dh>,<dl>,2,TT', <channel>" (7 bytes) – Same as TC
Tune HD	TH	<p>"\$A5,&lt;dh&gt;,&lt;dl&gt;,5,TH',&lt;H1&gt;,&lt;Major&gt;,&lt;Minor&gt;" (9 bytes) – Digital Tuning</p> <p>Normally, the H1 parameter is 0, allowing the ICC1-232 to use the current H1 tuning format, but it could be used to force a different tuning option. When the display is set to the H1=1 mode, the Major-Minor bytes will represent the high and low bytes of the 5-digit number. In H1=2 or 3 modes, the bytes represent the Major and Minor channel numbers. Values may be in hex or decimal.</p> <p><b>Ex:</b> "\$A5,1,4,5,TH',1,2,3" Device 260, channel 515  "\$A5,1,4,5,TH',2,2,3" Device 260, virtual channel 2-3  "\$A5,1,4,5,TH',3,2,3" Device 260, physical channel 2, minor 3</p>
Select Channel	TT	"\$A5,<dh>,<dl>,2,TT', <channel>" (7 bytes) – Same as TC
Tune Ring	TR	<p>"\$A5,&lt;dh&gt;,&lt;dl&gt;,&lt;ncb&gt;,TR', [&lt;chan 1&gt;, &lt;chan N&gt;]" (variable bytes)</p> <p>This command stores a Tune Ring, <b>Analog channels only</b>, a series of preset channels accessed by channel up/down commands.</p> <p><b>Ex1:</b> "\$A5,&lt;dh&gt;,&lt;dl&gt;,6,TR', 5,4,8,11" sets ring to channels 5, 4, 8 and 11  <b>Tip:</b> The ring follows the stored order, channels do not have to be in ascending order  <b>Ex2:</b> "\$A5,&lt;dh&gt;,&lt;dl&gt;,8,TR', \$82,5,\$87,11" sets channels 2-5 and 7-11. You can specify a range using MSB bit for the first channel; the next byte is the last.</p>
Control Lock	LM	<p>"\$A5,&lt;dh&gt;,&lt;dl&gt;,3,LM',&lt;control&gt;" (7 bytes)</p> <p>0 = Off (unlocked)  1 = On (locked)</p> <p>Locks out display commands from an IR remote or front-panel buttons. Feature is not available for all models of displays. Check with CR Tech Support if this function is important to your application.</p>
Sharp Tuning	H9	<p>"\$A5,&lt;dh&gt;,&lt;dl&gt;,3,H9',&lt;control&gt;" (7 bytes)</p> <p>Used for Sharp control firmware 3.2.  H9,1 = Sharp -1 tuning fix (set can't tune a -1 channel, does fine on others)  H9,0 = Standard Sharp control</p>

## iC-Net Zones

To simplify controlling groups of devices, iC-Net is divided into 15 Zones of 255 devices. All the devices within each zone can be controlled simultaneously by sending a command to a single virtual device number.

For example, noting the zone chart below, if we send a Power On command to device #256, any TV controller numbered between 257 and 511 will instantly turn on. If we send a Power Off command to device #4095, all devices in the system will turn off.

The ICC1-IR and ICC1-232 controllers typical for many SignStream display control systems are designed to follow a Zone address format. You can use the 4 top switches in the second DIP switch (S2) to define the controller's Zone. You could stop at that point, or use the upper switches (S1) to define the controller's address within the Zone. For example, setting S2/1 On and S1/2 On defines that the controller is part of Zone 1 (256), and is the second unit in the Zone (2). The unique address of the controller would be 258 (256 + 2)

Zone	Device #	Unit	Total Device #
1	256	1-255	257-511
2	512	1-255	512-767
3	768	1-255	769-1023
4	1024	1-255	1025-1279
5	1280	1-255	1281-1535
6	1536	1-255	1537-1791
7	1792	1-255	1793-2047
8	2048	1-255	2049-2303
9	2304	1-255	2305-2559
10	2560	1-255	2561-2815
11	2816	1-255	2817-3071
12	3072	1-255	3073-3327
13	3328	1-255	3329-3583
14	3584	1-255	3585-3839
15	3840	1-255	3841-4094
All Zones	4095		

**Tip:** While many applications can use just the Zone number, it's a good practice to assign a unique Unit number to each controller in the zone. This allows the system software to address individual controllers if necessary.

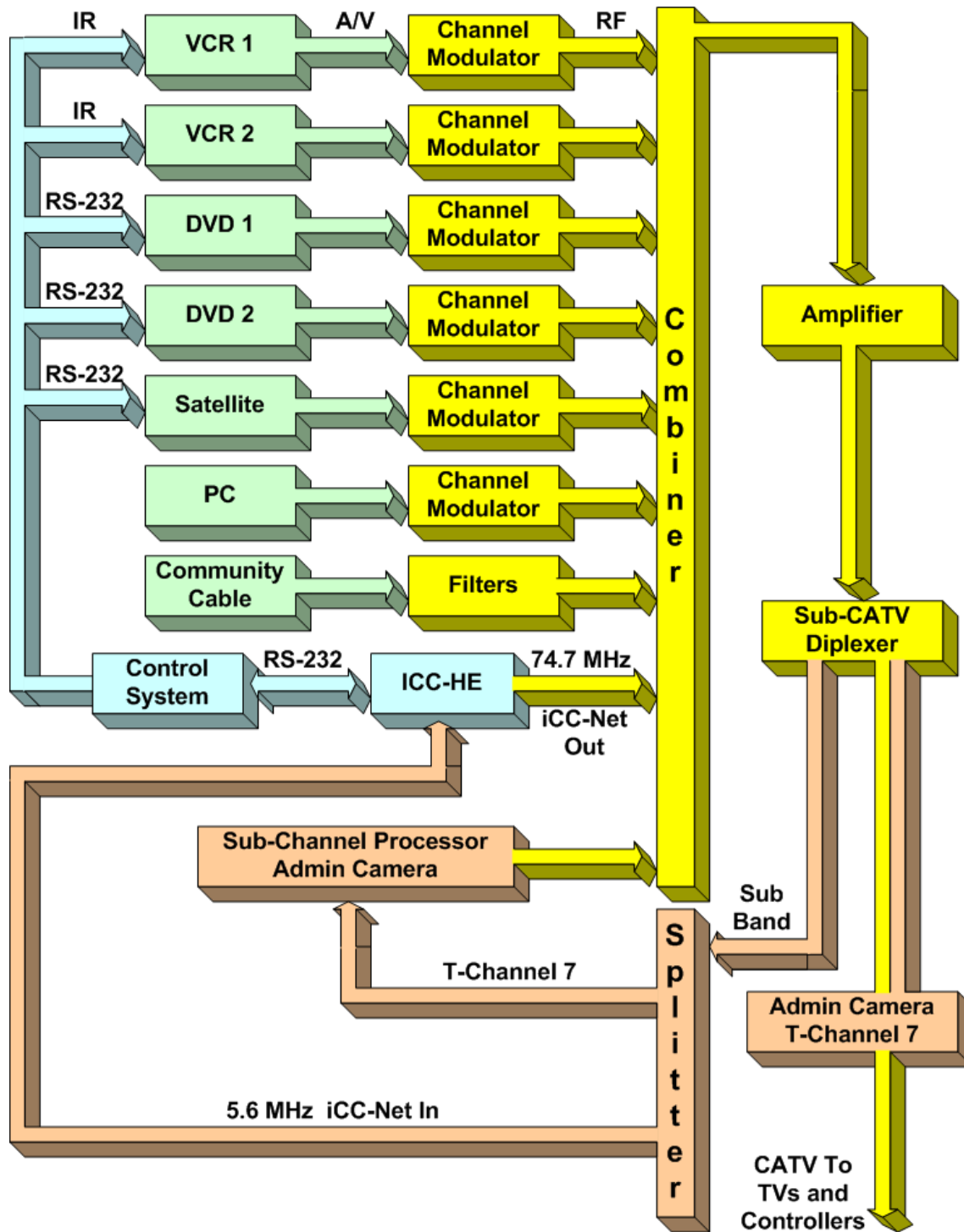
## System Map

One of the key tasks for iC-Net integrators is to create a logical **System Map**, assigning device numbers to TV controllers so they fall into logical zones. The device mapping could be sorted by type or location; whichever suits the application.

iC-Net Zone	Zone	Room	Device	S1	S2
1	W 1 <sup>st</sup> Floor		<b>256</b>		
		W151	257	1	1
		W152	258	2	1
		W153	259	1+2	1
		W154	260	3	1
2	W 2 <sup>nd</sup> Floor		<b>512</b>		
		W251	513	1	2
		W252	514	2	2
		W253	515	1+2	2
		W254	516	3	2
3	E 1 <sup>st</sup> Floor		<b>768</b>		
		E151	769	1	1+2
		E152	770	2	1+2
		E153	771	1+2	1+2
		E154	772	3	1+2
4	E 2 <sup>nd</sup> Floor		<b>1024</b>		
		E251	1025	1	3
		E252	1024	2	3
		E253	1025	1+2	3
		E254	1026	3	3
5	Coffee Areas		<b>1280</b>		
		G100	1281	1	1+3
		G150	1282	2	1+3
		G151	1283	3	1+3
6	Day Care		<b>1536</b>		
		TV 1	1537	1	2+3
		TV 2	1538	2	2+3
7	Hallways		<b>1792</b>		
		W1	1793	1	3+3
		W2	1794	2	3+3
		E1	1795	1+2	3+3
		E2	1796	3	3+3
8	Office		<b>2048</b>		
		Admin	2049	1	4
		A/V Center	2050	2	4
All Zones	All		<b>4095</b>		

## Typical RF and ICC-Net Signal Flow

The diagram below shows the structure of a typical Contemporary Research media retrieval system. One of the key aspects for iCC-Net communication is to provide a forward and return (sub-channel) path for data if you're using ICC2 2-way TV Controllers.



## Safety Instructions

### Read before operating equipment.

1. **Cleaning** - Unplug this product from the wall outlet before cleaning. Do not use liquid cleaners or aerosol cleaners. Use a damp cloth for cleaning.
2. **Power Sources** - Use supplied or equivalent UL/CSA approved low voltage DC plug-in transformer.
3. **Outdoor Antenna Grounding** - If you connect an outside antenna or cable system to the product, be sure the antenna or cable system is grounded so as to provide some protection against voltage surges and built-up static charges. Section 810 of the National Electrical Code, ANSI/NFPA No. 70, provides information with respect to proper grounding of the mast and supporting structure, grounding of the lead-in wire to an antenna discharge unit, size of grounding conductors, location of antenna discharge unit, connection to grounding electrodes, and requirements for the grounding electrode.
4. **Lightning** - Avoid installation or reconfiguration of wiring during lightning activity.
5. **Power Lines** - Do not locate an outside antenna system near overhead power lines or other electric light or power circuits or where it can fall into such power lines or circuits. When installing an outside antenna system, refrain from touching such power lines or circuits, as contact with them might be fatal.
6. **Overloading** - Do not overload wall outlets and extension cords as this can result in a risk of fire or electric shock.
7. **Object and Liquid Entry** - Never push objects of any kind into this product through openings as they may touch dangerous voltage points or short out parts, resulting in a fire or electric shock. Never spill liquid of any kind on the product.
8. **Servicing** - Do not attempt to service this product yourself as opening or removing covers may expose you to dangerous voltage or other hazards. Refer all servicing to qualified service personnel.
9. **Damage Requiring Service** - Unplug this product from the wall outlet and refer servicing to qualified service personnel under the following conditions:
  - When the power supply cord or plug is damaged.
  - If liquid spills or objects fall into the product.
  - If the product is exposed to rain or water.
  - If the product does not operate normally by following the operating instructions. Adjust only those controls that are covered by the operating instructions. An improper adjustment of other controls may result in damage and will often require extensive work by a qualified technician to restore the product to its normal operation.
  - If the video product is dropped or the cabinet is damaged.
  - When the video product exhibits a distinct change in performance, this indicates a need for service.

\* **Note to CATV system installer:** This reminder is provided to call CATV system installer's attention to Article 820-40 of the National Electrical Code (Section 54 of Canadian Electrical Code, Part I), that provides guidelines for proper grounding and, in particular, specifies that the cable ground shall be connected to the grounding system of the building as close to the point of cable entry as possible.

## **Limited Warranty and Disclaimer**

Contemporary Research Corporation (CR) warrants this product to be free from defects in material and workmanship under normal use for a period of two years from the date of purchase from CR. Should such a defect occur CR will repair or replace, at their option, the defective product at no cost for parts or labor.

This warranty extends to product purchased directly from CR or an Authorized CR Dealer. Consumers should inquire from selling dealer as to the nature and extent of the dealer's warranty, if any.

All warranty claims must be shipped pre-paid to the factory. Call or fax to obtain a Return Material Authorization (RMA) number.

CR is not liable for any damages caused by any of its products or for the failure of any products to perform, including any lost profits, lost savings, incidental damages, or consequential damages. CR is not responsible for any claim made by a third party or made for you by a third party. This limitation of liability applies whether damages are sought, or a claim is made, under this warranty or as a tort claim (including negligence and strict product liability), a contract claim, or any other claim. This limitation of liability cannot be waived or amended by any person. This limitation of liability will be effective even if CR or an authorized representative of CR has been advised of the possibility of any such damages.

Some states do not allow a limitation of how long an implied warranty lasts. Some states do not allow the limitation or exclusion of incidental or consequential damages for consumer products. In such states, the limitation or exclusion of the Limited Warranty may not apply to you. This Limited Warranty gives you specific legal rights. You may also have other rights that may vary from state to state. You are advised to consult applicable state laws for a full determination of your rights.

Except as expressly set forth in this Limited Warranty, CR makes no other warranties, expressed or implied, including any implied warranties of merchantability or fitness for a particular purpose. CR expressly disclaims all warranties not stated in this Limited Warranty. Any implied warranties that may be imposed by law are limited to the terms of this Limited Warranty.