

UNLESS OTHERWISE SPECIFIED:

DECIMAL DIMENSIONS INCLUDING HOLES XX ±.010
XXX ±.005

FRACTIONAL DIMENSIONS INCLUDING HOLES ± 1/64

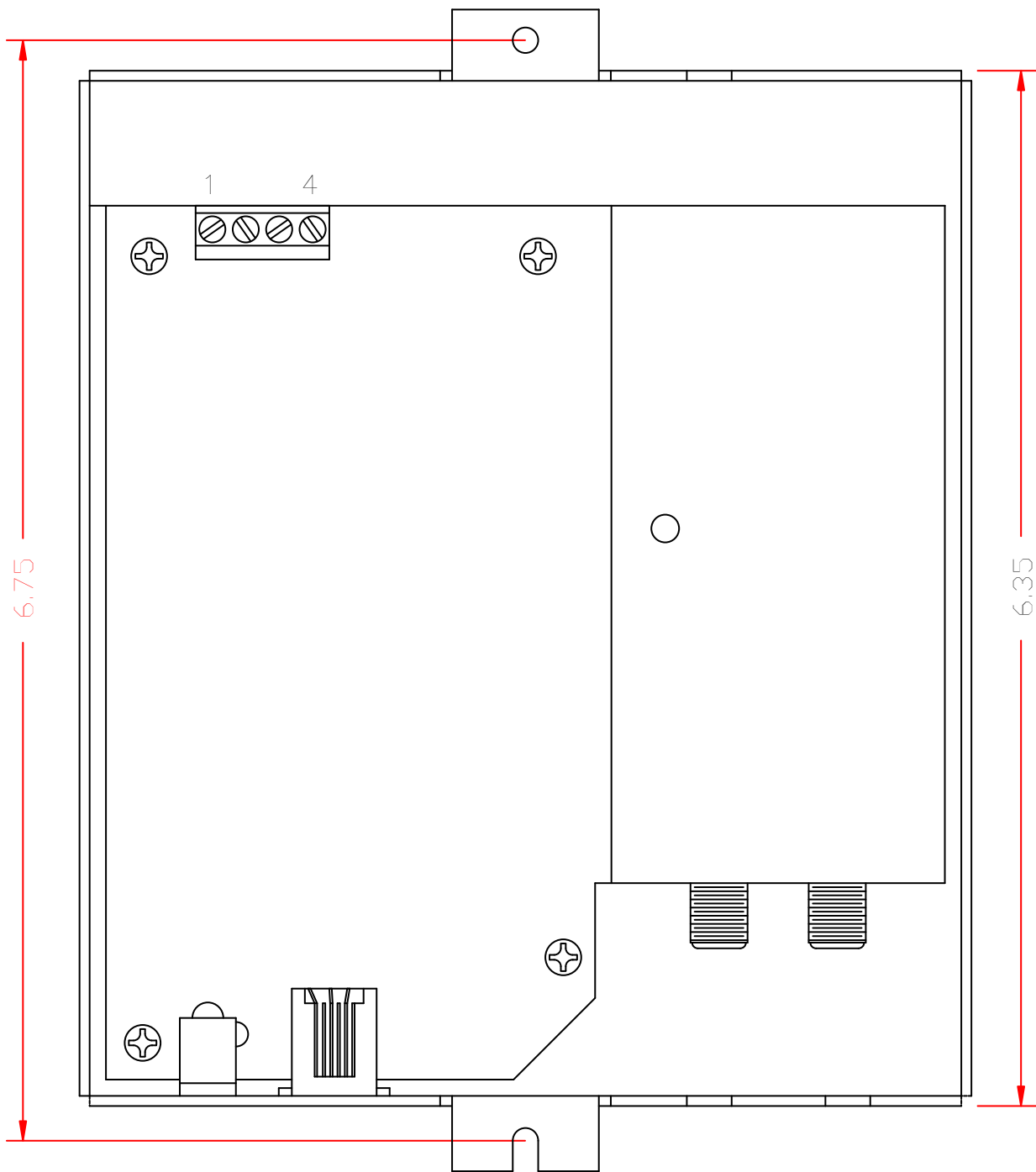
ANGLES ± 1°

SURFACE FLATNESS .003 TIR PER LINEAR INCH.

ALL DIMENSIONS IN INCHES.

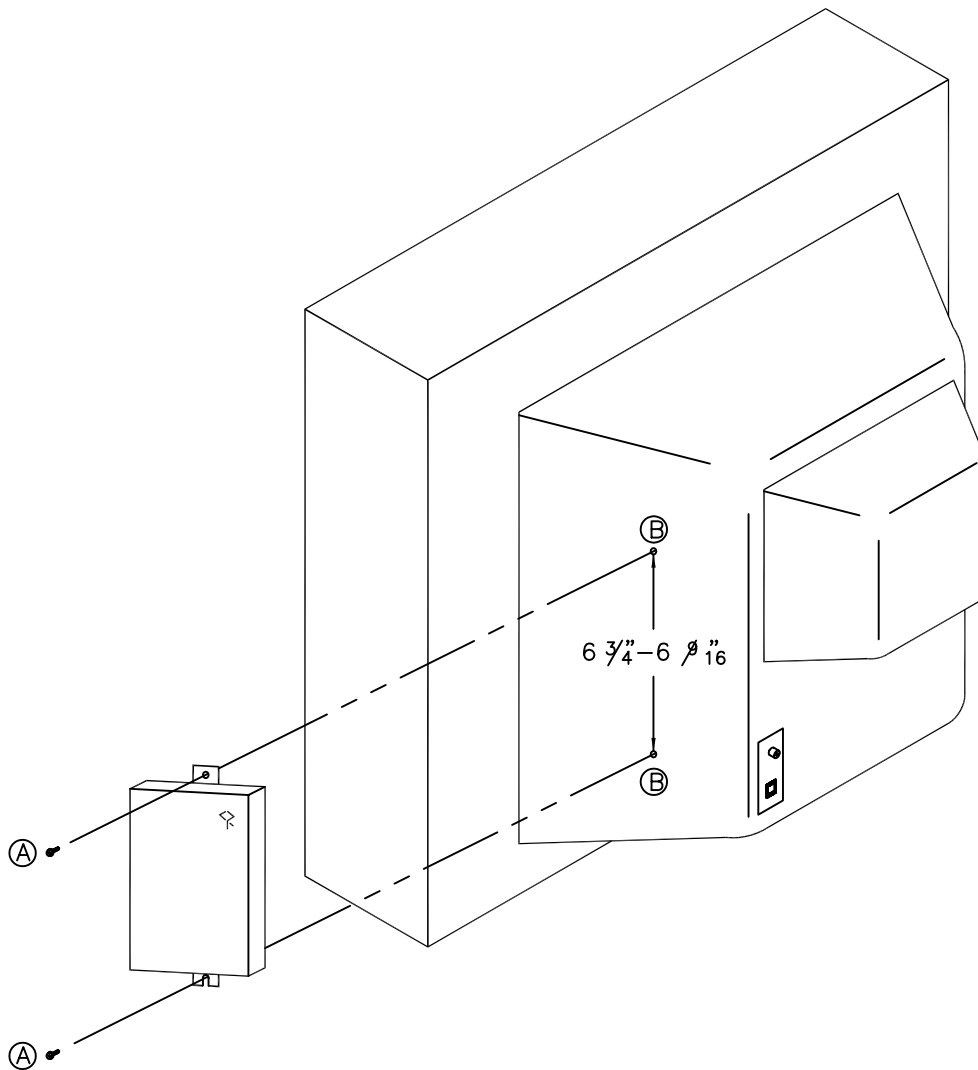
DO NOT SCALE THIS DRAWING.

SYM	ECO. NO.	DESCRIPTION	DATE	APPR.
**** REVISIONS ****				
DRAWN MEO	DATE 06/24/02	Contemporary Research	17630 Davenport Suite 113 Dallas, Texas 75252 contemporaryresearch.com	
CHECKED	DATE			
APPROVED	DATE	TITLE PRODUCT DRAWING ICC1 COAX 1-WAY TELEVISION CONTROLLER		
RELEASED	DATE	SCALE NONE	DWG. NO.	
DIR	FILE	SHT 1 OF 2	950-5005	
		ICC1_PD.DWG		



Inside View

UNLESS OTHERWISE SPECIFIED		DATE	DESCRIPTION	BY	CHK
DECIMAL DIMENSIONS INCLUDING HOLES	1/16" ± 0.010"	06/24/02	Contemporary Research		
FRACTIONAL DIMENSIONS INCLUDING HOLES	1/32" ± 0.015"				
ANGLES	± 0.5°				
SURFACE FINISHES	0.005" PER LINEAR INCH				
ALL DIMENSIONS IN INCHES					
DO NOT SCALE THIS DRAWING					
REV	DATE	DESCRIPTION	BY	CHK	
1	06/24/02	ISSUE FOR PRODUCTION			
Contemporary Research PRODUCT DRAWING ICC1, ICC2, C-ONLY TELEVISION CONTROLLER			950-5005		



MOUNTING INSTRUCTIONS

1. LOCATE A POSITION FOR THE UNIT ON THE RIGHT SIDE OF TV TOWARD THE REAR ON A STRONG VERTICAL PLASTIC SUPPORT

* DO NOT COVER ANY TV VENT SLOTS

2. DRILL PILOT HOLES (B)
SIZE: #36 (0.106")
OR: $\frac{7}{64}$ (0.109")
3. USE TWO (2) #6 SELF-THREADING SCREWS (A) AND A $\frac{1}{4}$ HEX NUT DRIVER